
Parts and Diagrams

7

Printer Support	7-2
Right Hand Cover	7-4
Left Hand Cover	7-6
Top Cover and Deflectors	7-8
Rollfeed Module	7-10
Back Platen Assembly	7-12
Electronics Module	7-14
Power Supply	7-16
Cutter Assemblies	7-18
Ink Delivery System	7-20
Service Station and Spittoon	7-22
Service Station Holder	7-24
Pinch-Wheel Assemblies	7-26
Scan-Axis Motor	7-28
Drive Roller Encoder Sensor	7-30
Print Platen Assembly	7-32
Carriage Assembly	7-34
Vacuum Fan	7-36
Interconnect Cable	7-38
Paper-Axis Motor	7-40
Drive Roller	7-42
Miscellaneous Items	7-44

Printer Support

Printer Support			
Reference on Drawing	HP Part Number	Quantity	Description/Comments
1	C7782-60001	1	Bin Assembly (24" Model) - Flint Grey
	C7781-60005	1	Bin Assembly (24" Model) - Graphite Grey
	C7770-60148	1	Bin Assembly (42" Model) - Flint Grey
	C7780-60002	1	Bin Assembly (42" Model) - Graphite Grey
2	C7770-60002	2	Foot Assembly
3	C7770-60021	2	Legs Assembly
4	C7781-60004	1	X-Brace Assembly (24" Model)
	C7770-60020	1	X-Brace Assembly (42" Model)
5	C7770-60031	1	Foot-Brace Assembly (42" Model)
	C7769-60219	1	Foot-Brace Assembly (24" Model)
-	C7769-60273	1	Foot Kit 24" Model Only
-	C7770-60018	1	Hardware Kit (Includes Screw Drivers)

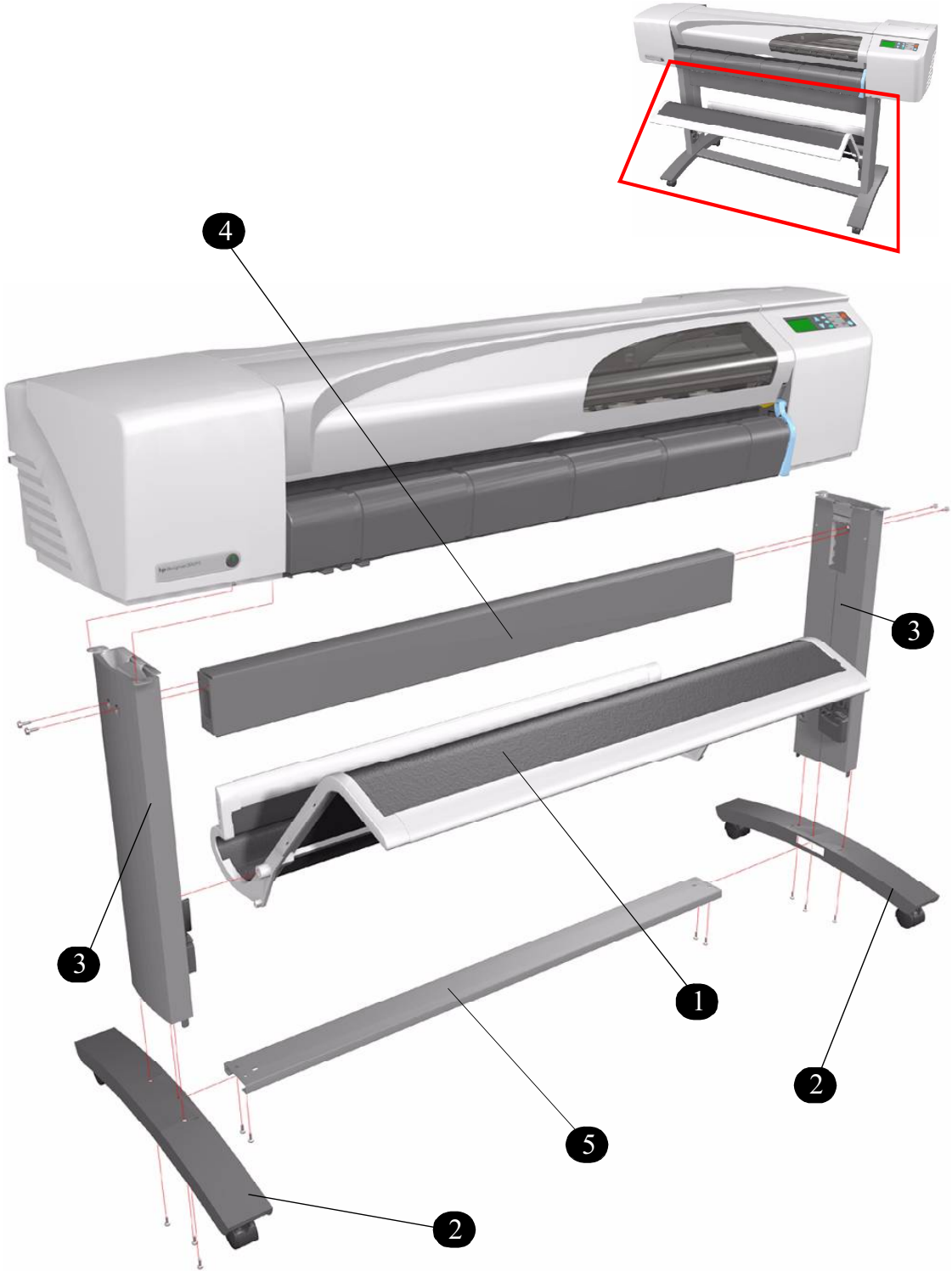


Figure 1: Printer Support

Right Hand Cover

Right Hand Cover			
Reference on Drawing	HP Part Number	Quantity	Description/Comments
1	C7769-60159	1	Right Hand Cover - Grey (HP DesignJet 500 Series Only)
	C7779-60159	1	Right Hand Cover - Black (HP DesignJet 800 Series Only)
2	0624-0771	5	Screws
3	C7769-60160	1	Trim Kit (Includes the front and back trims for the left and right sides)
4	C7769-60161	1	Front Panel
5	C7769-60111	1	Front Panel Overlay (English)
	C7769-60112	1	Front Panel Overlay (Korean)
	C7769-60113	1	Front Panel Overlay (Taiwanese)
	C7769-60114	1	Front Panel Overlay (German)
	C7769-60115	1	Front Panel Overlay (French)
	C7769-60116	1	Front Panel Overlay (Spanish)
	C7769-60117	1	Front Panel Overlay (Italian)
	C7769-60118	1	Front Panel Overlay (Japanese)
	C7769-60119	1	Front Panel Overlay (Portuguese)
	C7769-60120	1	Front Panel Overlay (Chinese)

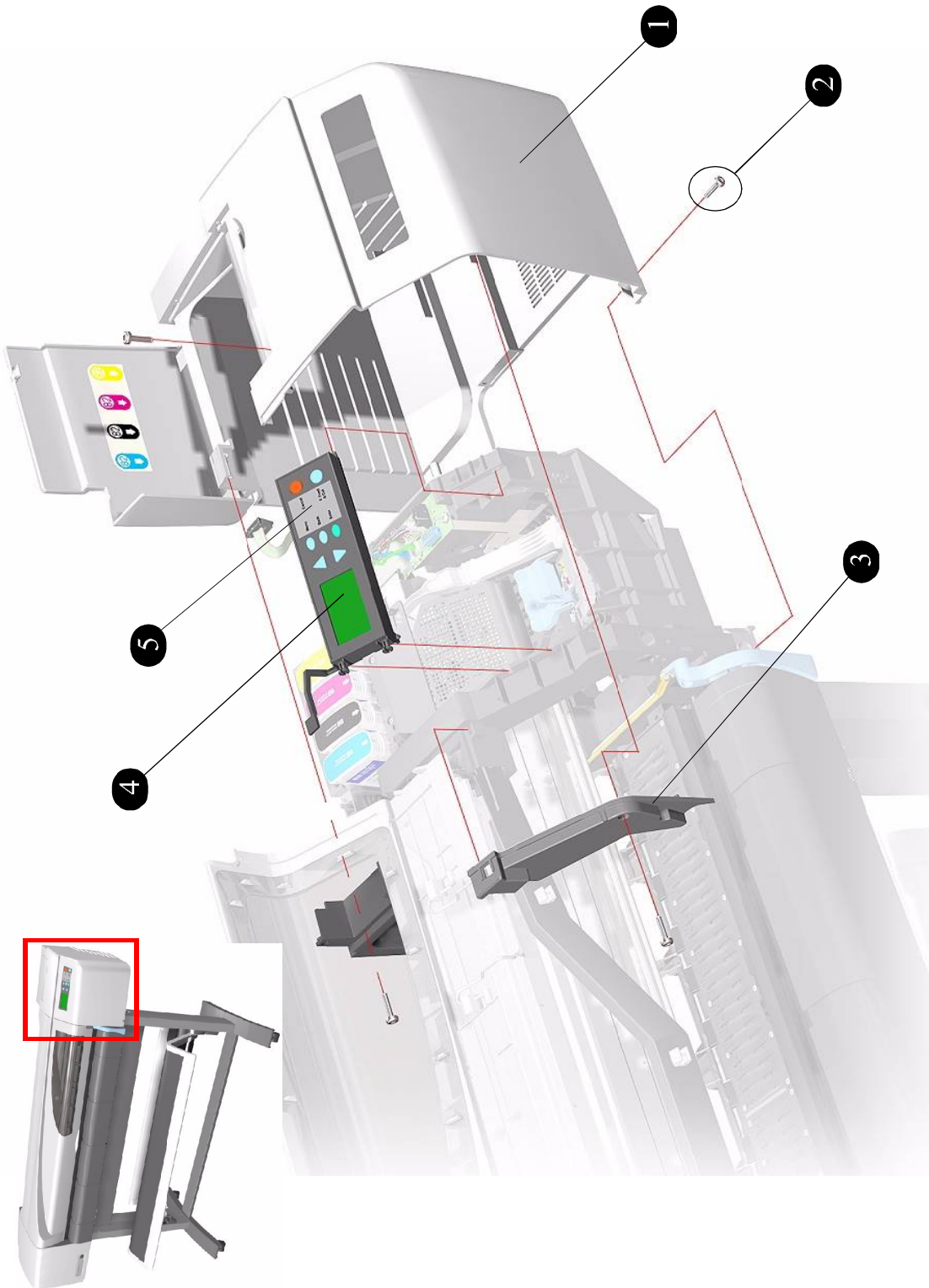


Figure 2: Right Hand Cover

Left Hand Cover

Left Hand Cover			
Reference on Drawing	HP Part Number	Quantity	Description/Comments
1	C7769-60158	1	Left Hand Cover - Grey (HP DesignJet 500 Series Only)
	C7779-60158	1	Left Hand Cover - Black (HP DesignJet 800 Series Only)
2	0624-0771	5	Screws
3	C7769-60160	1	Trim Kit (Includes the front and back trims for the left and right sides)

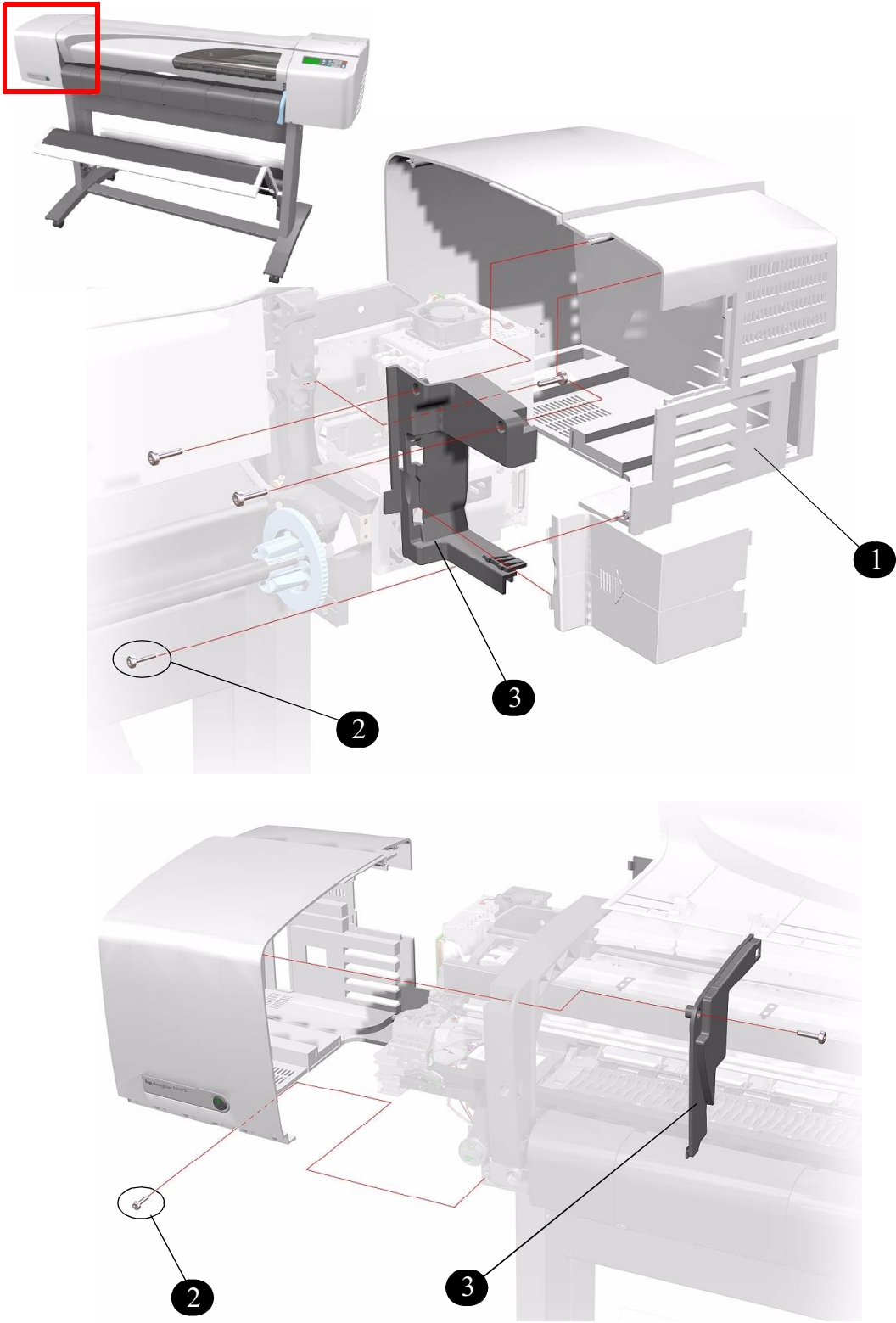


Figure 3: Left Hand Cover

Top Cover and Deflectors

Top Cover and Deflectors				
Reference on Drawing	HP Part Number	Quantity		Description/Comments
		24"	42"	
1	C7769-60154	1		Top Cover - Grey (HP DesignJet 500 Series Only)
	C7770-60154		1	Top Cover - Grey (HP DesignJet 500 Series Only)
	C7779-60154	1		Top Cover - Black (HP DesignJet 800 Series Only)
	C7780-60154		1	Top Cover - Black (HP DesignJet 800 Series Only)
2	0515-1743	2	3	Screws
3	C7769-60167	2	3	Media Deflectors (comes as a kit)
4	C7769-60255	3	4	Media Deflector Holders (comes as a kit)

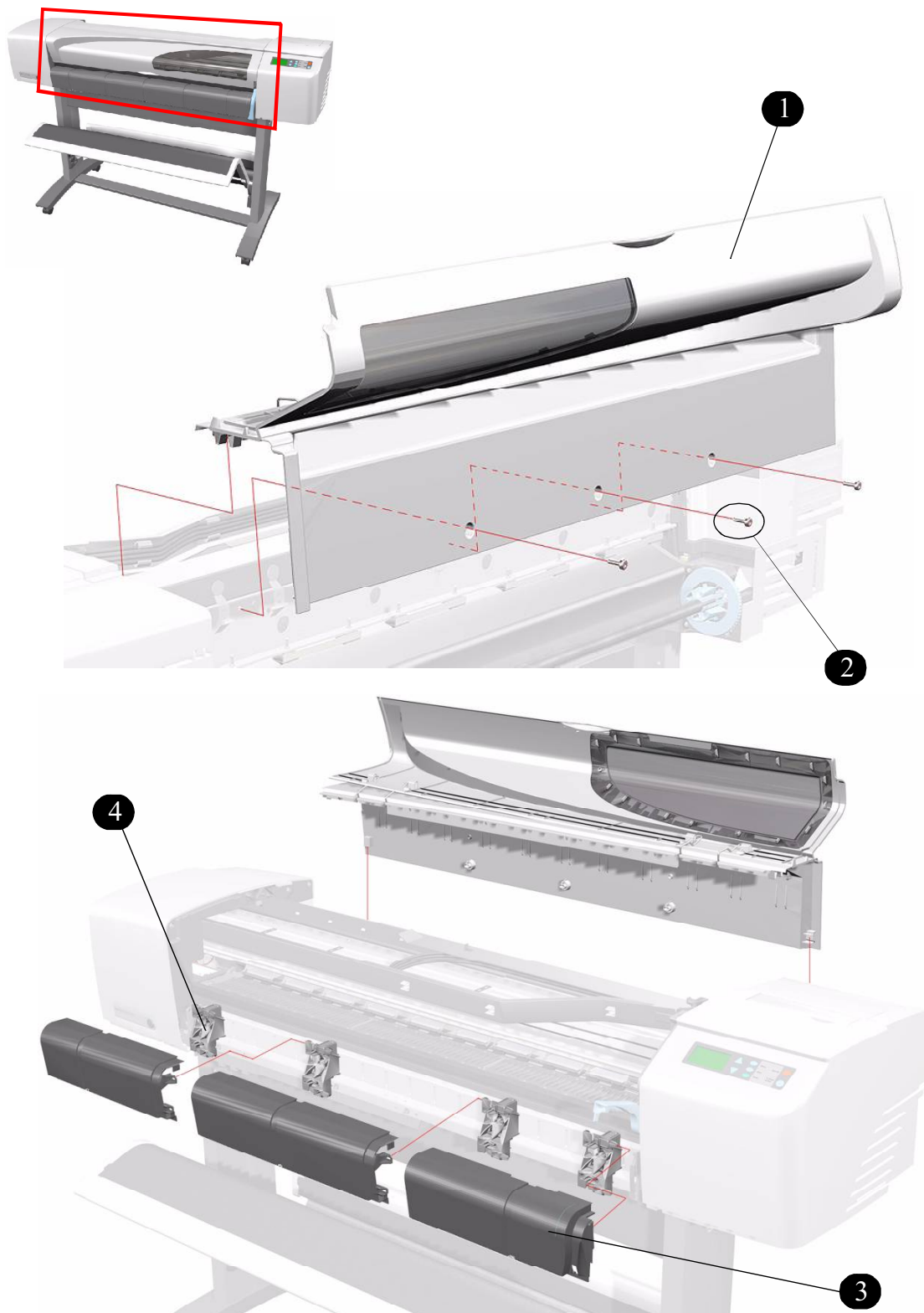


Figure 4: Top Cover and Deflectors

Rollfeed Module

Rollfeed Module			
Reference on Drawing	HP Part Number	Quantity	Description/Comments
1	C7769-60162	1	Rollfeed Module Kit
2	0624-0771	6	Screw Plas M4 1in
3	C7769-60242	1	Spindle (24" Model Only)
	C7769-60243	1	Spindle (42" Model Only)

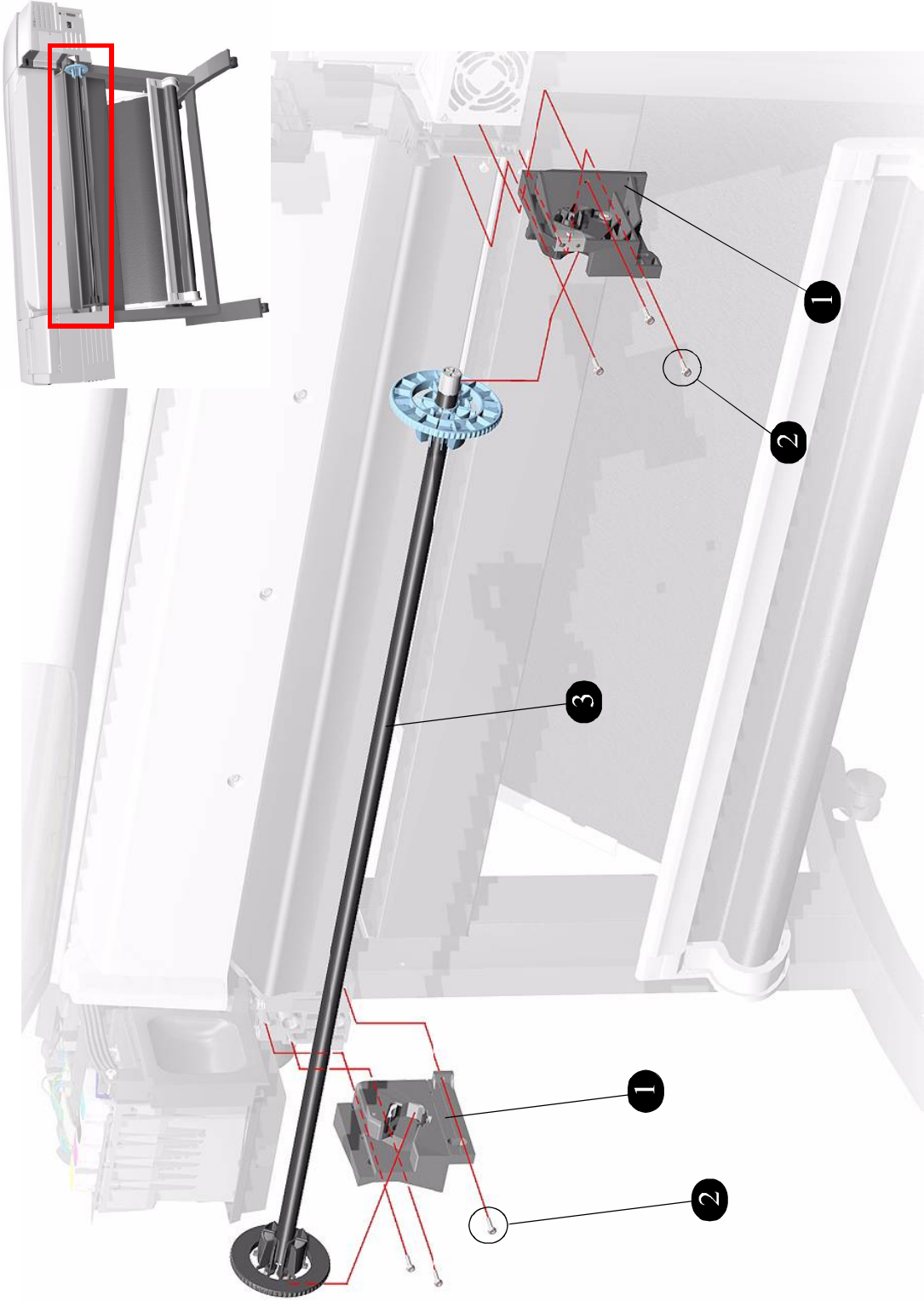


Figure 5: Rollfeed Module

Back Platen Assembly

Back Platen Assembly			
Reference on Drawing	HP Part Number	Quantity	Description/Comments
1	C7769-60155	1	Back Platen (24" Model Only)
	C7770-60155	1	Back Platen (42" Model Only)
2	0624-0769	2	Screw
3	C7769-60168	1	Media Sensor

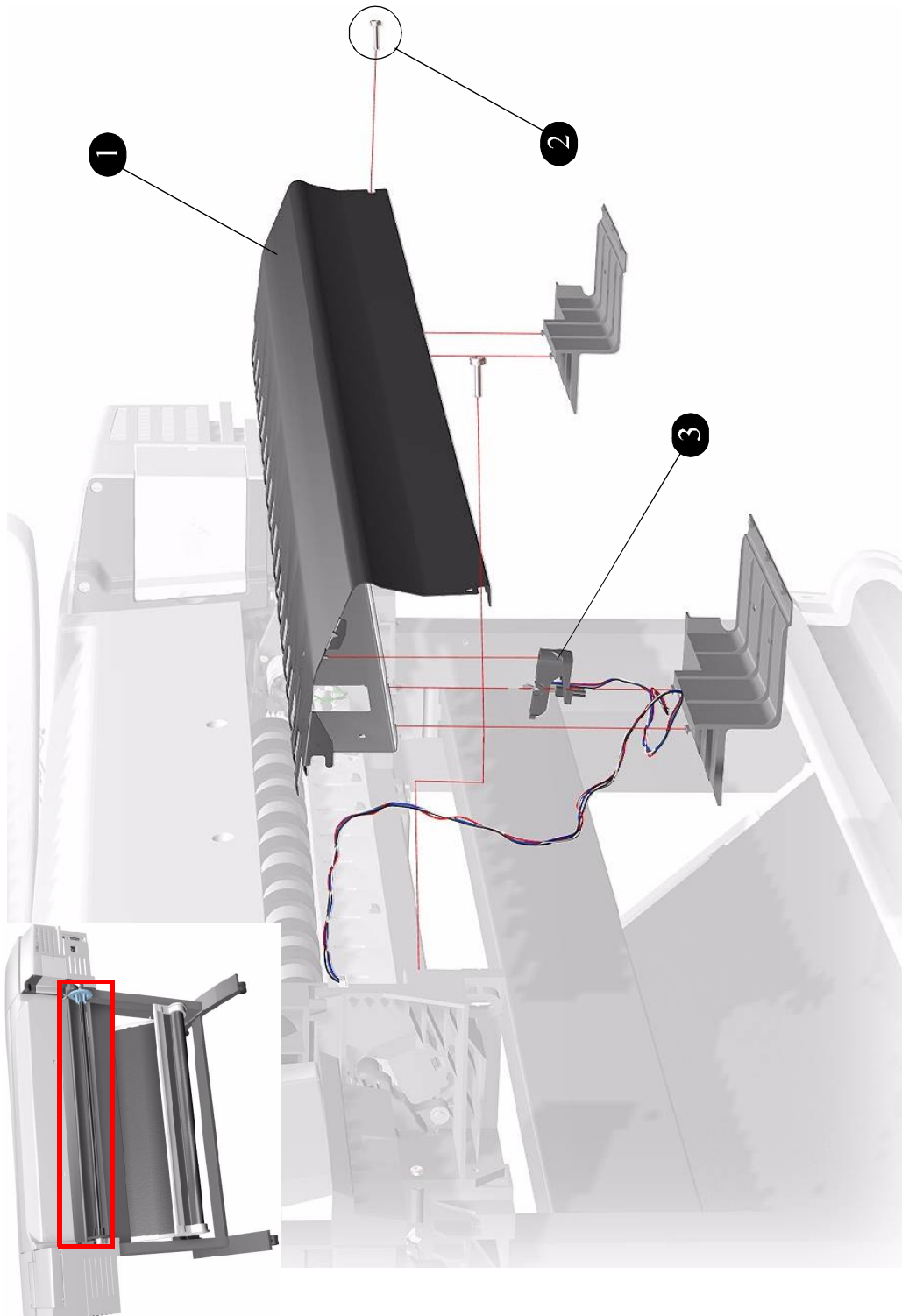


Figure 6: Back Platen Assembly

Electronics Module

Electronics Module			
Reference on Drawing	HP Part Number	Quantity	Description/Comments
1	C7779-60144	1	Electronics Module
2	0515-2200	3	Screw Tap M3 x 10 mm
3	J3113-69001	1	EIO Card
4	C7769-60259	1	Formatter (HP DesignJet 800 and 800PS Only)
	C7769-60260	1	Formatter (HP DesignJet 500 and 500PS Only)
-	C7769-60245	1	Memory SODIMM 128 MB

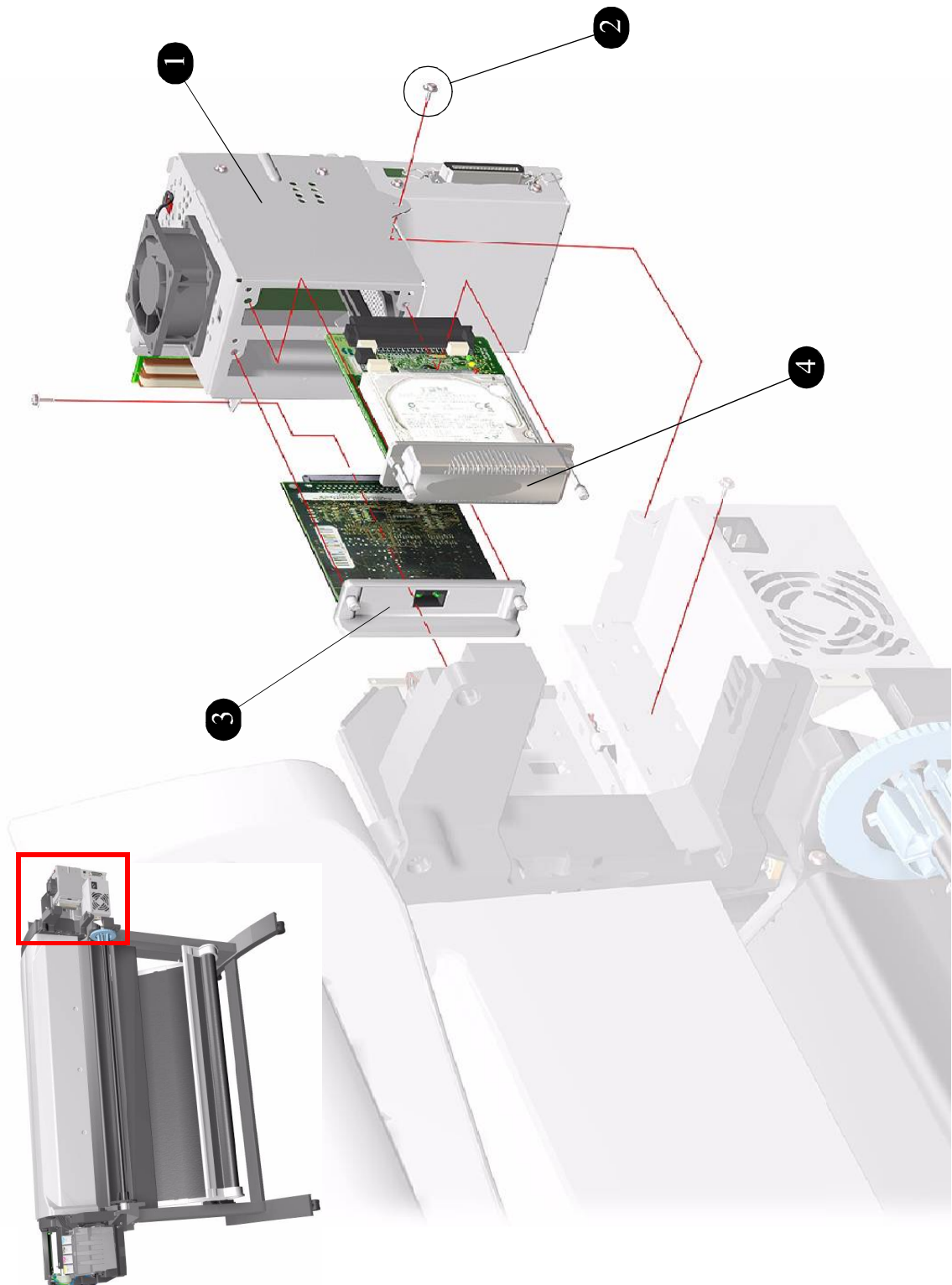


Figure 7: Electronics Module

Power Supply

Power Supply			
Reference on Drawing	HP Part Number	Quantity	Description/Comments
1	C7769-60145	1	Power Supply Unit
2	0515-2200	3	Screw Tap M3 x 10 mm

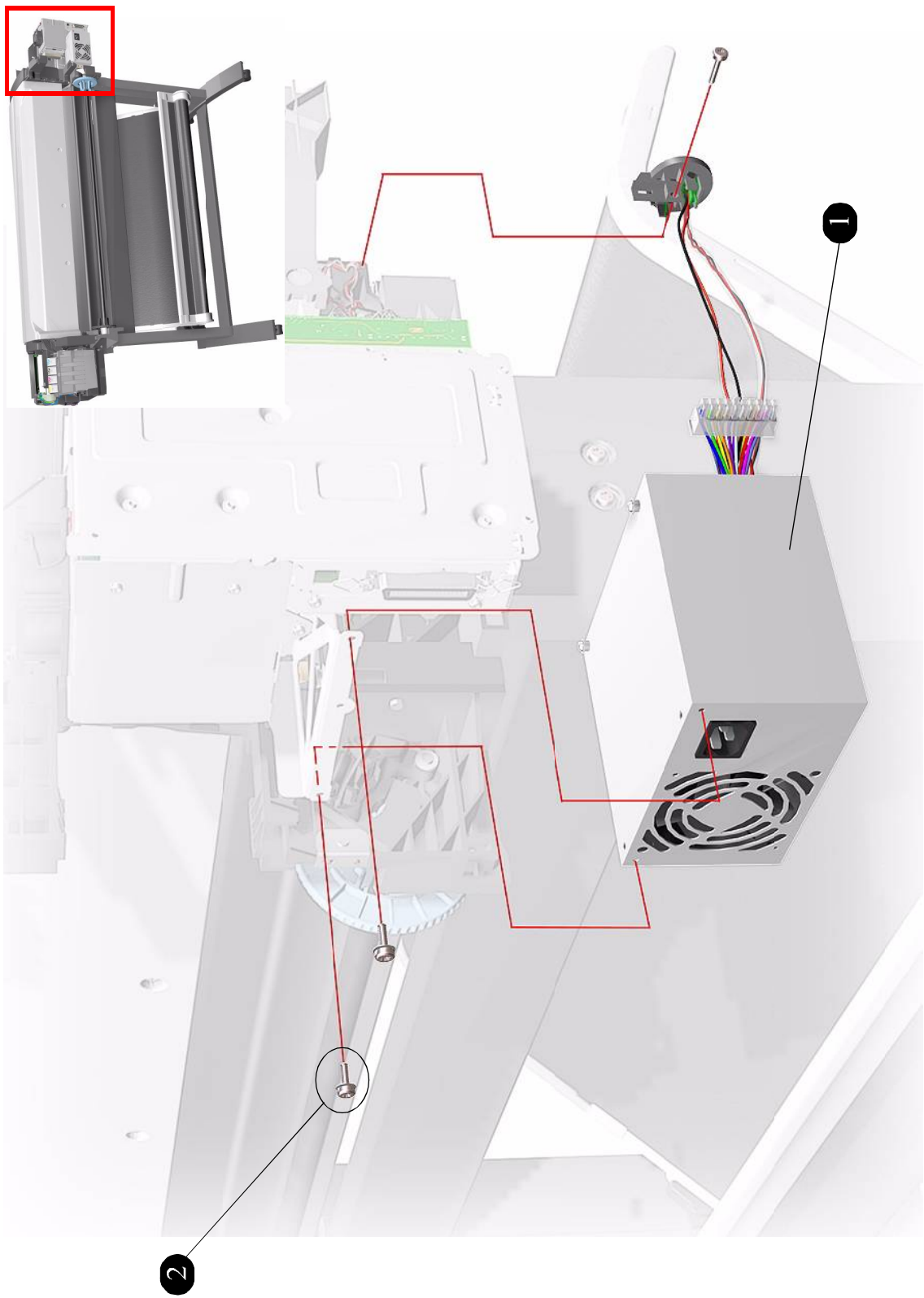


Figure 8: Power Supply

Cutter Assemblies

Cutter Assemblies			
Reference on Drawing	HP Part Number	Quantity	Description/Comments
1	C7769-60163	1	Cutter Assembly
2	C7769-60169	1	Cutter Bushing
3	C7769-60179	1	Cutter Guide (24" Model Only)
	C7770-60017	1	Cutter Guide (42" Model Only)
4	C7769-60170	1	Cutter Guide Bracket and Left Encoder Holder Kit
5	0515-2200	1	Screw (Cutter Guide Bracket)
6	0515-1743	2	Screw (Left Encoder Holder)

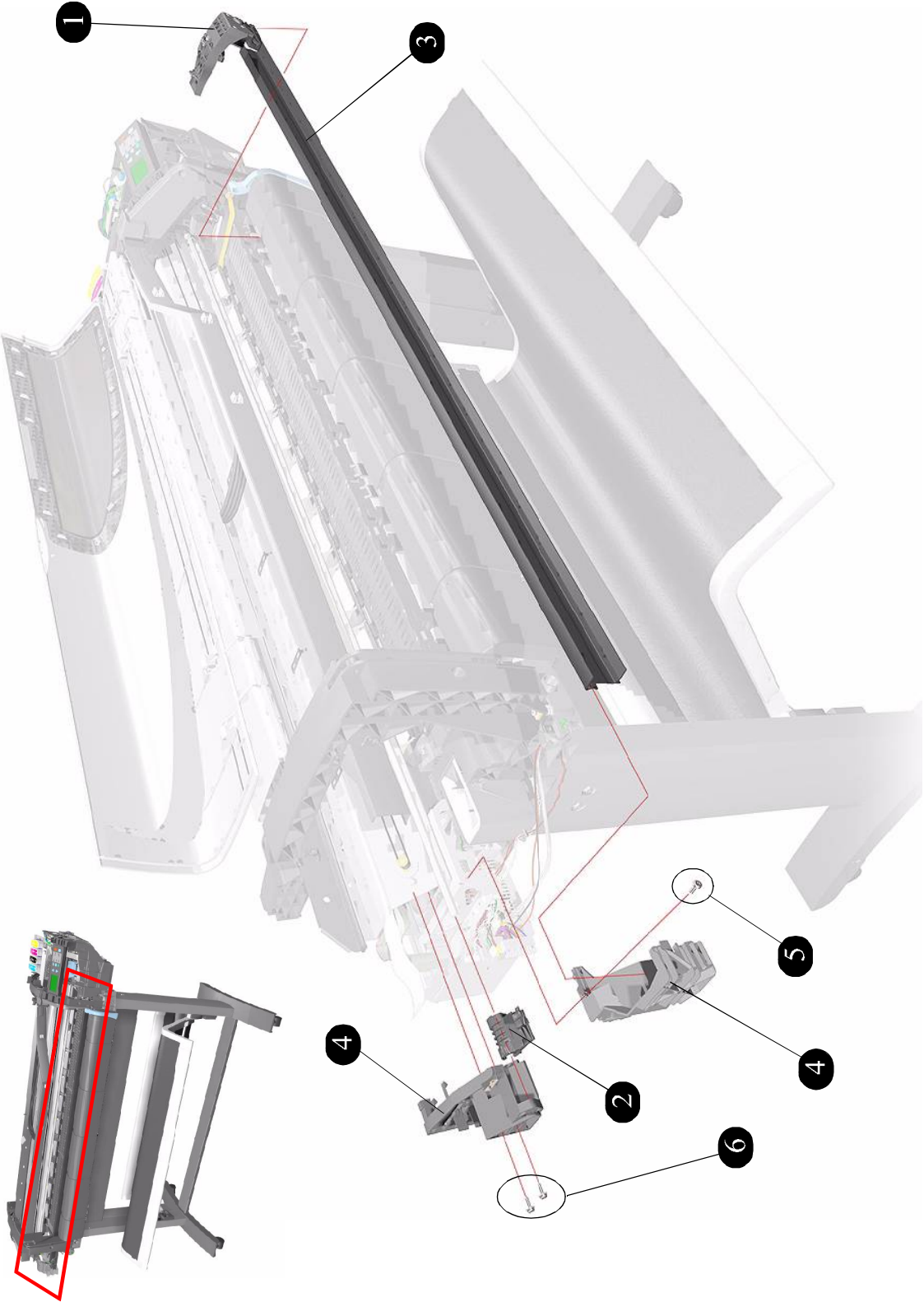


Figure 9: Cutter Assemblies

Ink Delivery System

Ink Delivery System			
Reference on Drawing	HP Part Number	Quantity	Description/Comments
1	C7769-60256	1	Tubes Assembly (24" Model Only)
	C7770-60251	1	Tubes Assembly (42" Model Only)
2	C7769-60148	1	Ink Supply Station
3	0624-0769	1	Screw Plas 6-19 0.5 in
4	C7769-60164	1	Start-up Printheads

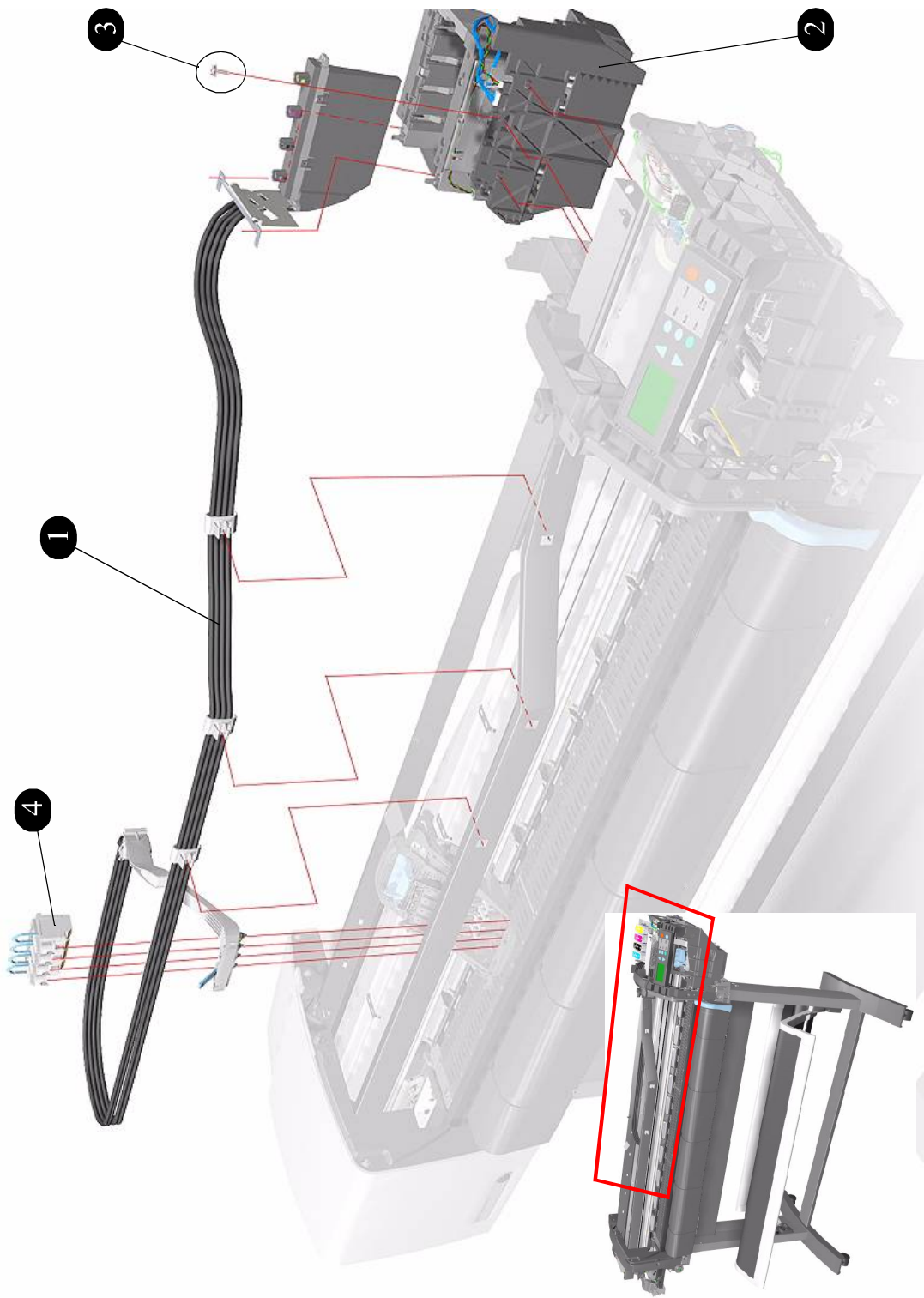


Figure 10: Ink Delivery System

Service Station and Spittoon

Service Station and Spittoon			
Reference on Drawing	HP Part Number	Quantity	Description/Comments
1	C7769-60149	1	Service Station/Aerosol Fan
2	0624-0769	2	Screw Plas 6-19 0.5 in
3	C7769-60165	1	Left Spittoon Assembly

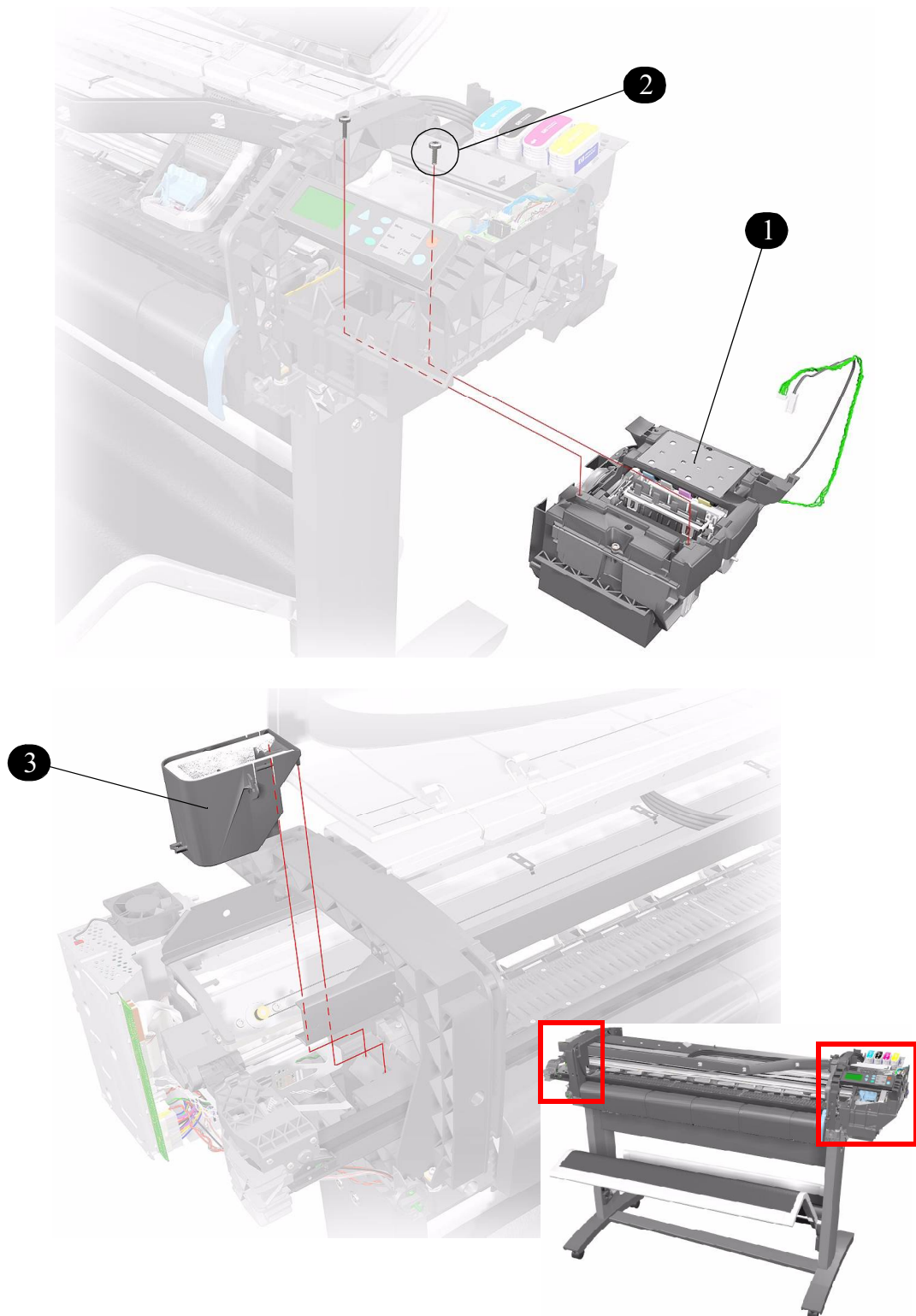


Figure 11: Service Station and Spittoon

Service Station Holder

Service Station Holder			
Reference on Drawing	HP Part Number	Quantity	Description/Comments
1	C7769-60156	1	Service Station Holder (Right Hand Bracket)
2	0515-2282	4	Screw
3	0624-0769	2	Screw
4	C7769-60173	1	Interconnect PCA
5	0624-0769	1	Screw
6	C7769-60176	1	Tensioner Assembly Kit

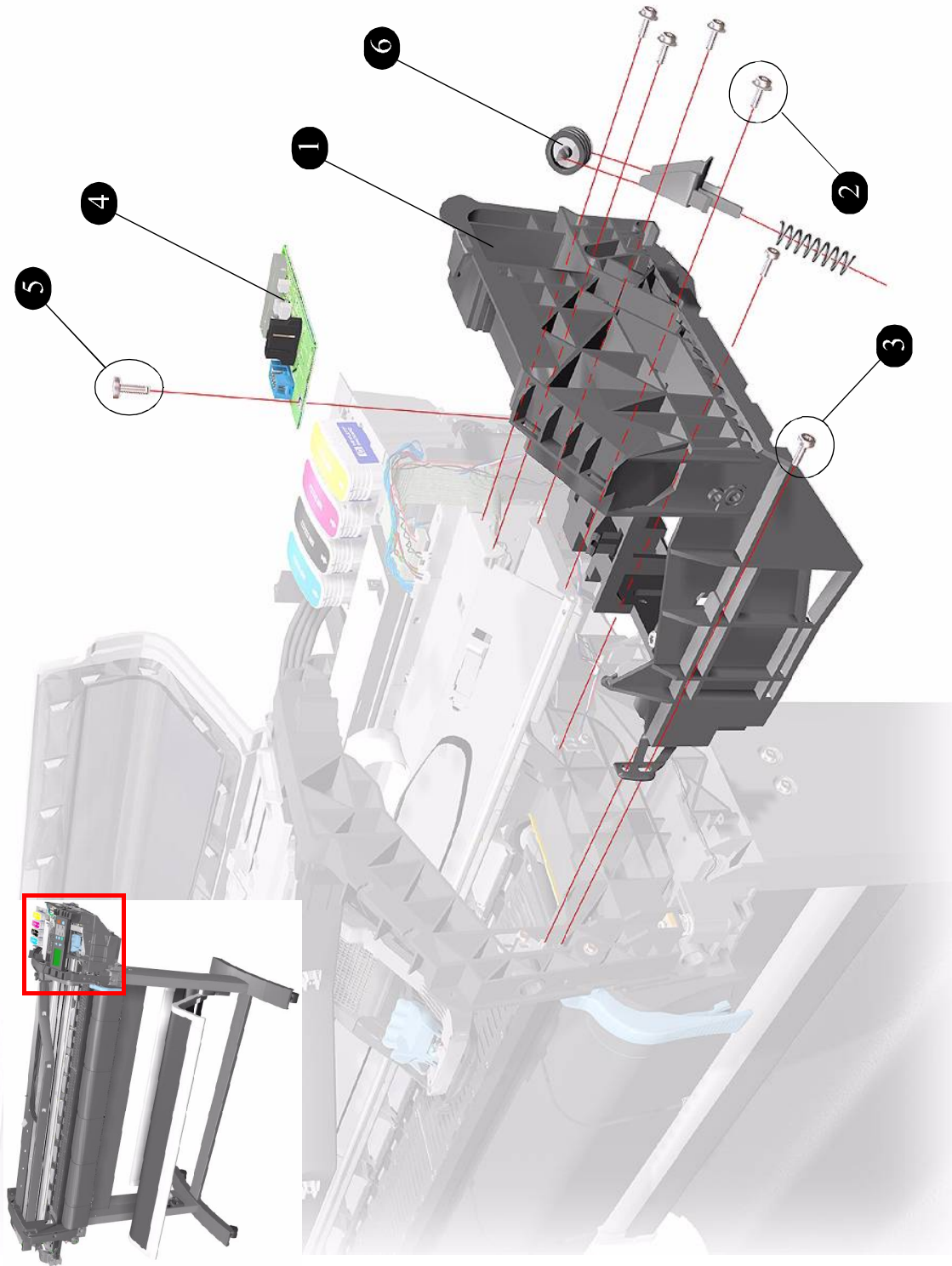


Figure 12: Service Station Holder

Pinch-Wheel Assemblies

Pinch-Wheel Assemblies			
Reference on Drawing	HP Part Number	Quantity	Description/Comments
1	C7769-60181	1	Pinch-Arm Mechanism (24" Model) *
	C7770-60015	1	Pinch-Arm Mechanism (42" Model) *
2	C7769-60175	3/5	Pinch-Arm
3	0515-2521	2	Screw
4	C7769-60194	1	Pinch-Arm Sensor
5	0624-0768	1	Screw

* Pinch Arm Mechanism includes the Pinch Arm Lever.

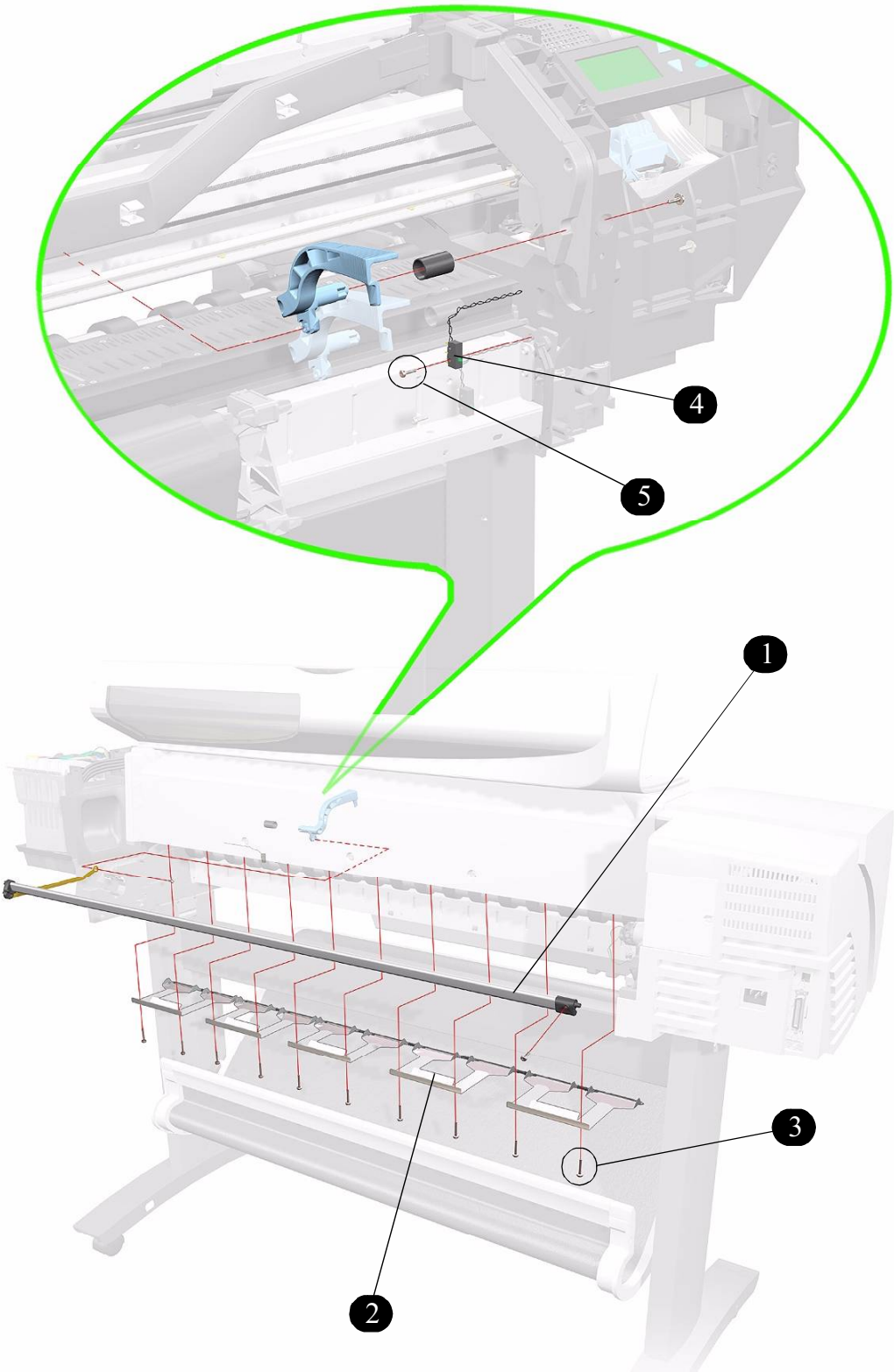


Figure 13: Pinch-Wheel Assemblies

Scan-Axis Motor

Scan-Axis Motor			
Reference on Drawing	HP Part Number	Quantity	Description/Comments
1	C7769-60146	1	Scan-Axis Motor
2	0515-2282	2	Screw

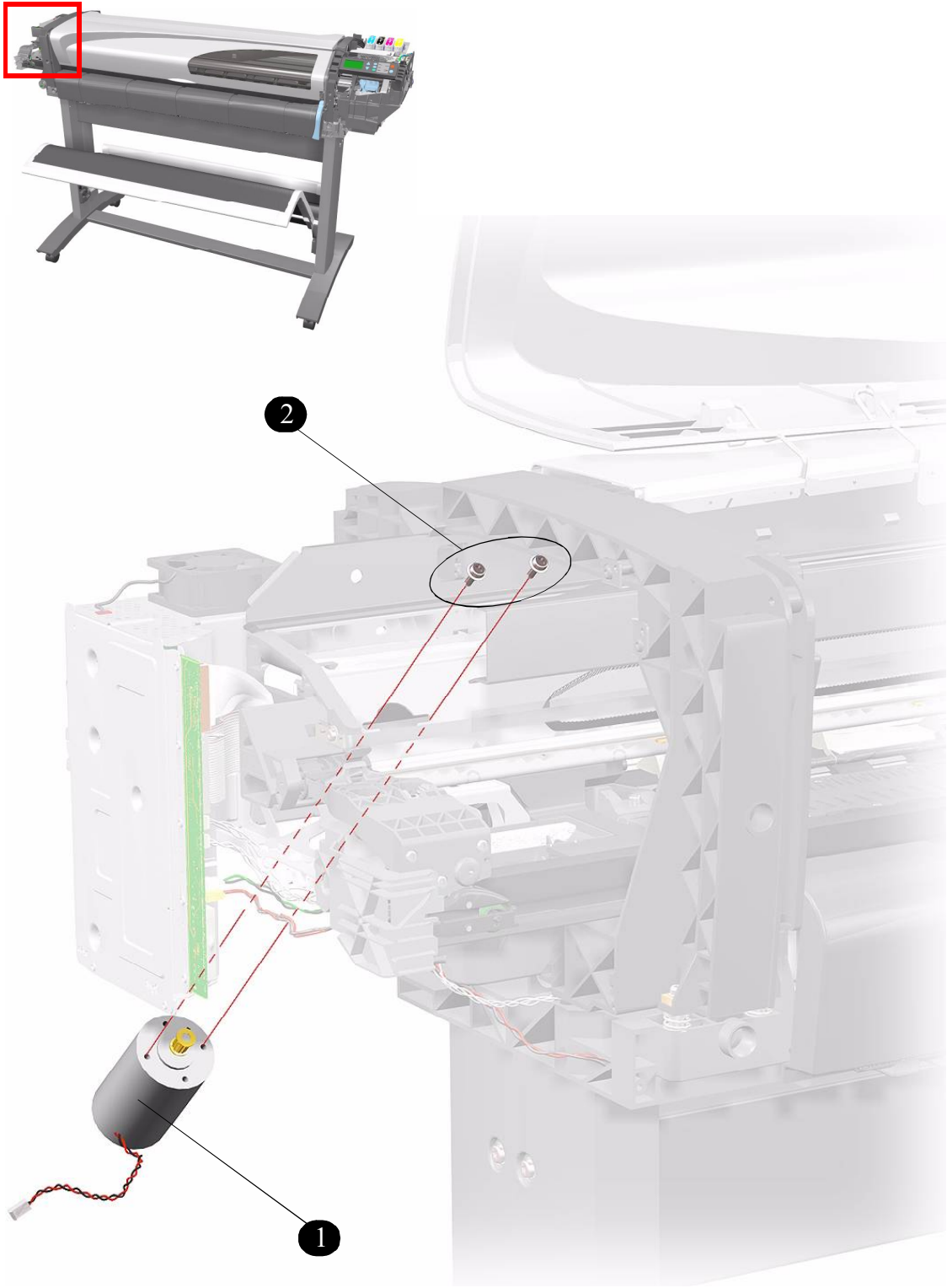


Figure 14: Scan-Axis Motor

Drive Roller Encoder Sensor

Drive Roller Encoder Sensor			
Reference on Drawing	HP Part Number	Quantity	Description/Comments
1	C7769-60171	1	Drive Roller Encoder Sensor Cover Kit
2	0624-0768	1	Screw
3	C7769-60172	1	Drive Roller Encoder Sensor
4	0624-0768	1	Screw

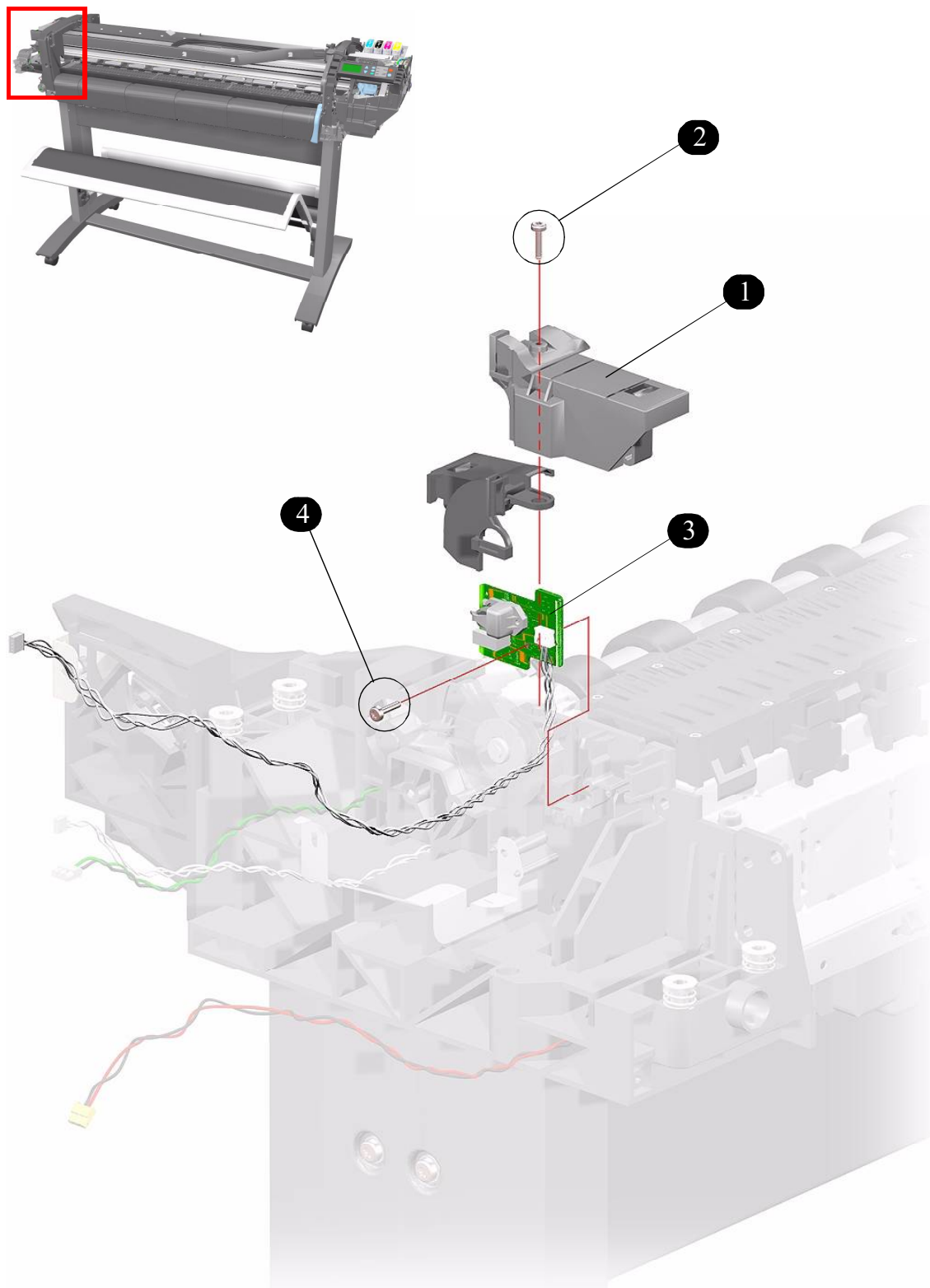


Figure 15: Drive Roller Encoder Sensor

Print Platen Assembly

Print Platen Assembly				
Reference on Drawing	HP Part Number	Quantity		Description/Comments
		24"	42"	
1	C7769-60174	1	1	Print Platen Kit (Includes parts for both the 24" and 42" Models)
2	0624-0768	31	38	Screws

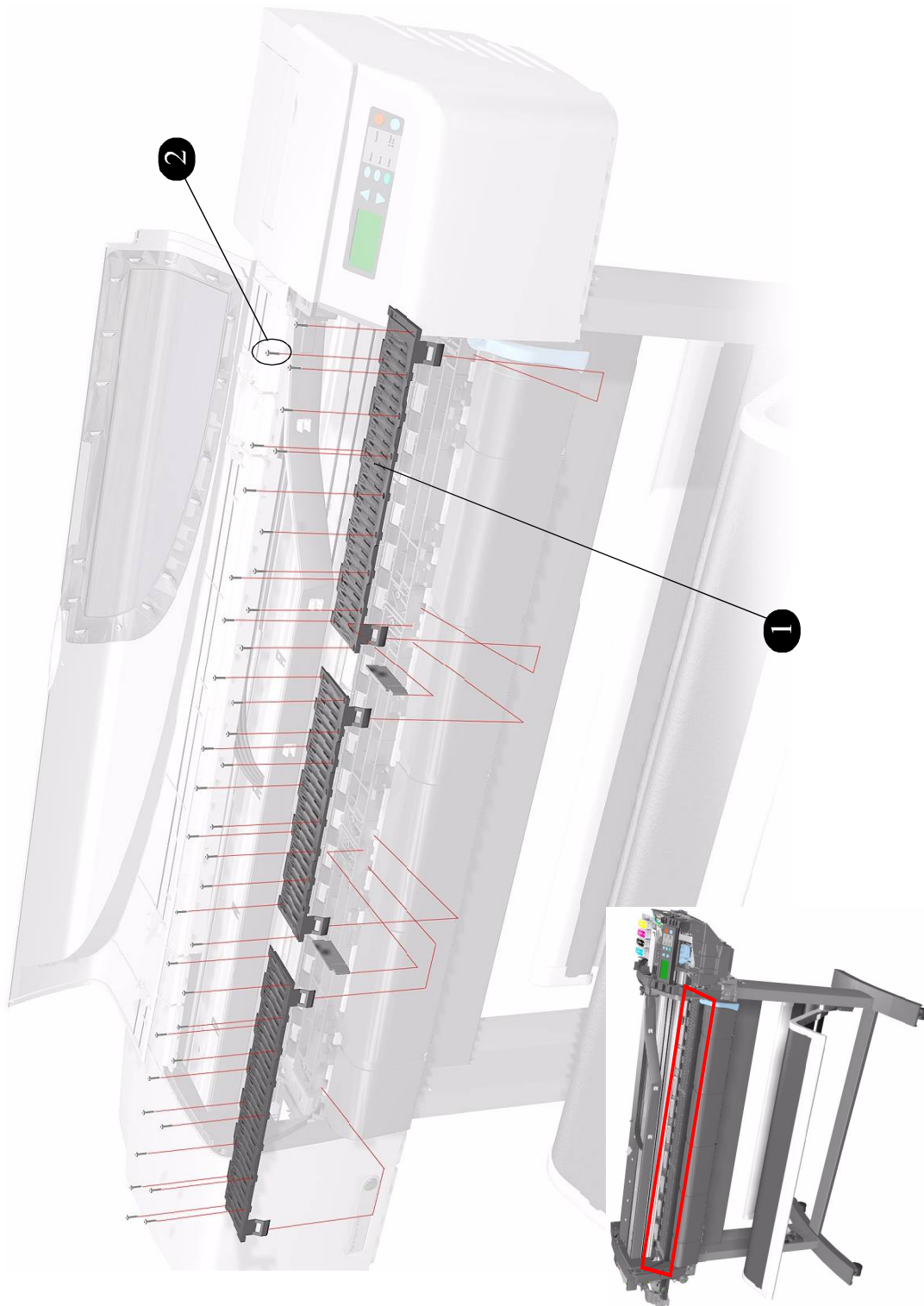


Figure 16: Print Platen Assembly

Carriage Assembly

Carriage Assembly			
Reference on Drawing	HP Part Number	Quantity	Description/Comments
1	C7769-60272	1	Carriage Assembly
2	C7769-60271	1	Trailing Cable (24" Model Only)
	C7770-60258	1	Trailing Cable (42" Model Only)
3	C7769-60182	1	Belt (24" Model Only)
	C7770-60014	1	Belt (42" Model Only)
4	C7769-60183	1	Encoder Strip (24" Model Only)
	C7770-60013	1	Encoder Strip (42" Model Only)
5	0624-0769	1	Screw

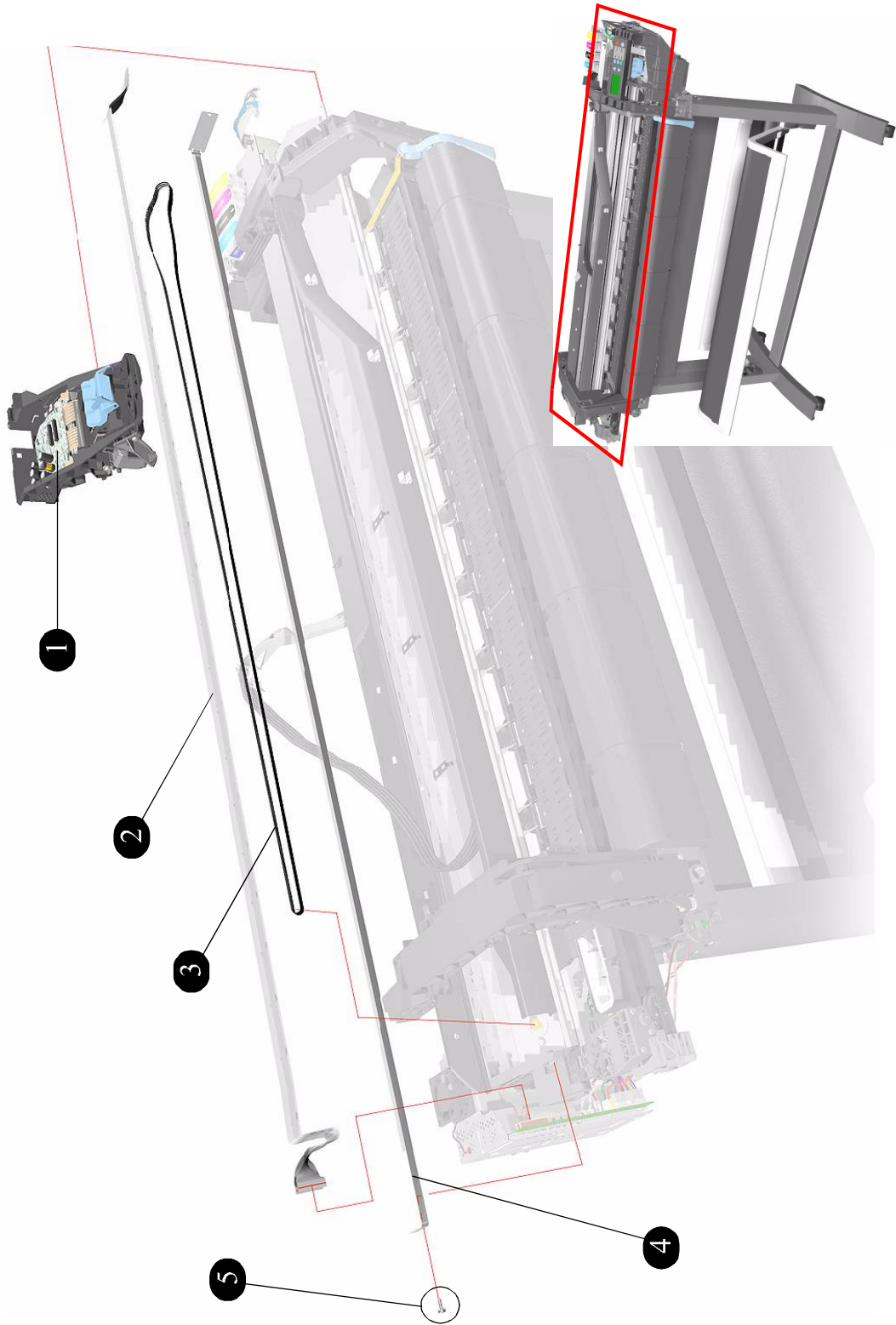


Figure 17: Carriage Assembly

Vacuum Fan

Vacuum Fan			
Reference on Drawing	HP Part Number	Quantity	Description/Comments
1	C7769-60150	1	Vacuum Fan



Figure 18: Vacuum Fan

Interconnect Cable

Interconnect Cable			
Reference on Drawing	HP Part Number	Quantity	Description/Comments
1	C7769-60180	1	Interconnect Cable (24" Model Only)
	C7770-60016	1	Interconnect Cable (42" Model Only)

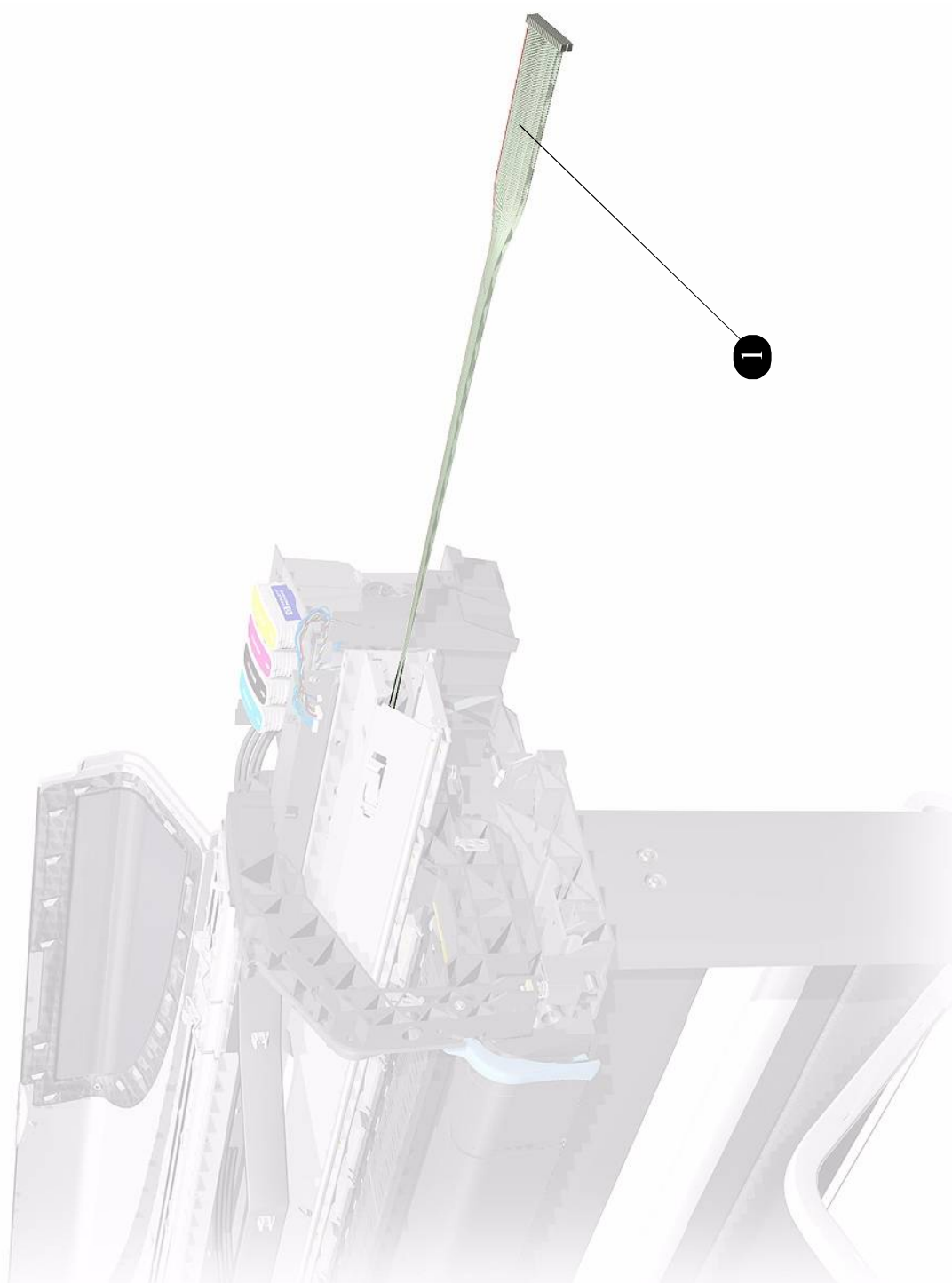


Figure 19: Interconnect Cable

Paper-Axis Motor

Paper-Axis Motor			
Reference on Drawing	HP Part Number	Quantity	Description/Comments
1	C7769-60152	1	Paper-Axis Motor Assembly
2	0515-2246	2	Screw

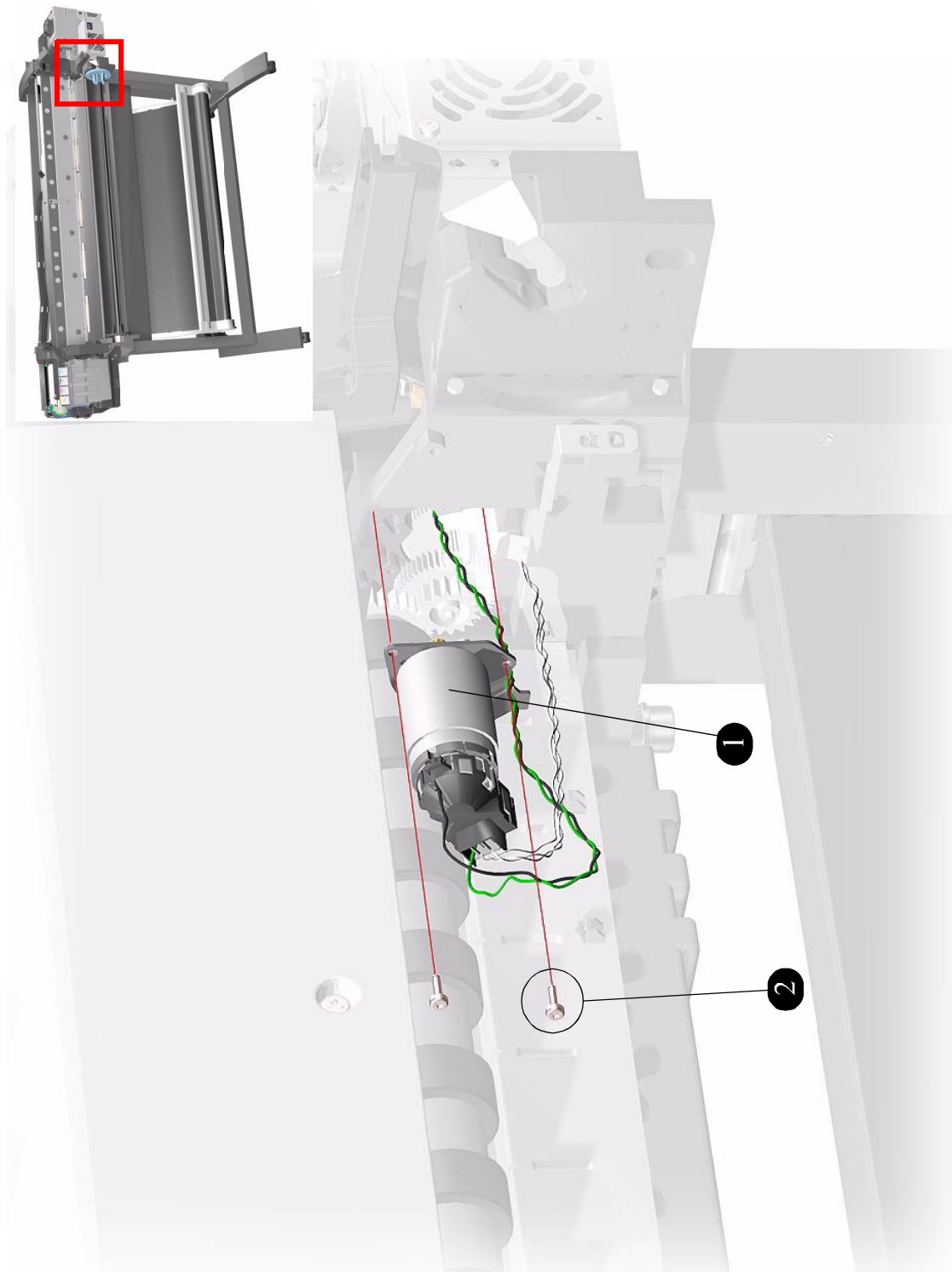


Figure 20: Paper-Axis Motor

Drive Roller

Drive Roller			
Reference on Drawing	HP Part Number	Quantity	Description/Comments
1	C7769-60157	1	Drive Roller Kit (24" Model Only)
	C7770-60157	1	Drive Roller Kit (42" Model Only)
2	C7769-60177	1	Transmission Gear Kit
3	C7769-60254	1	Encoder Disc

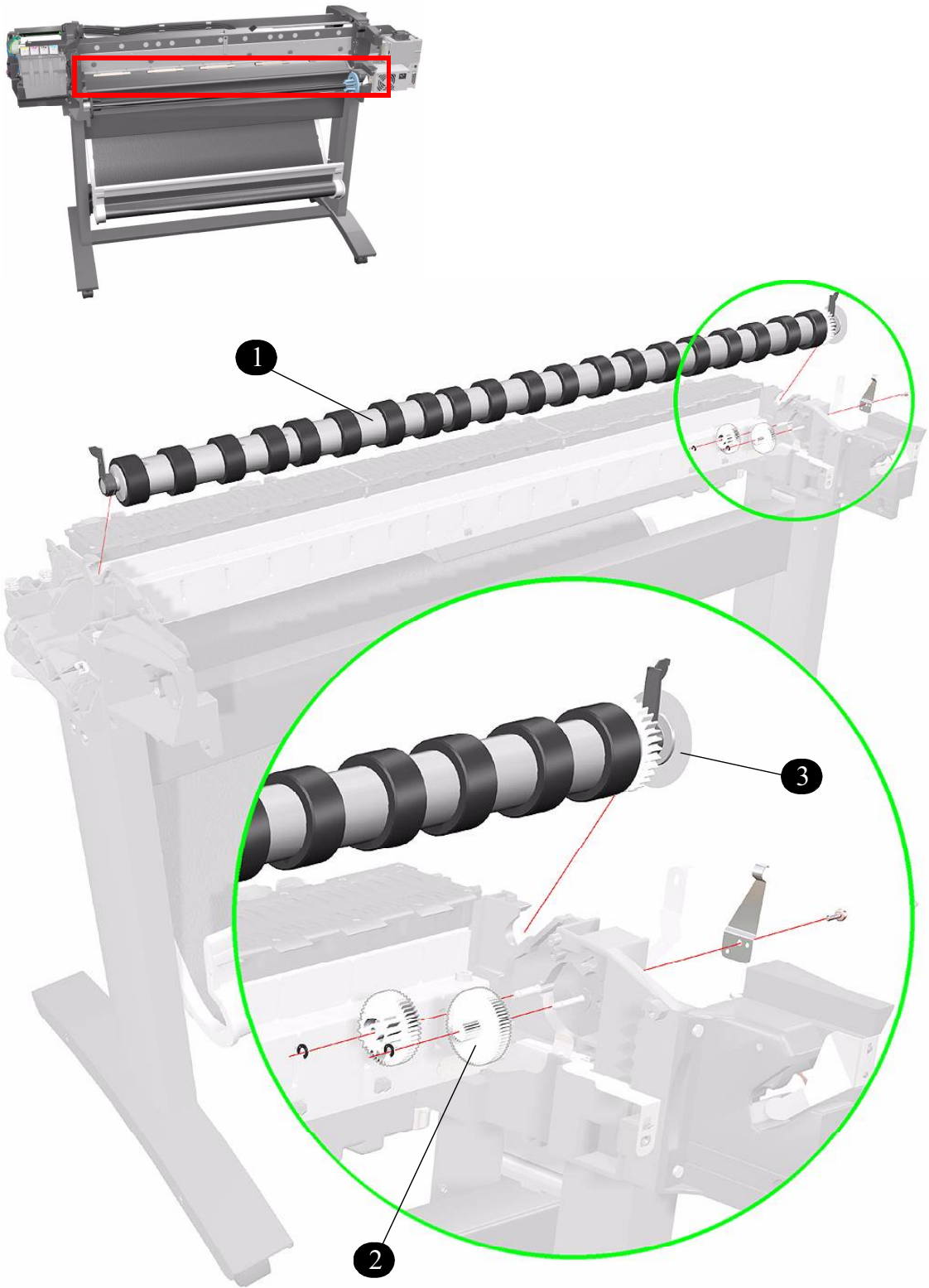


Figure 21: Drive Roller

Miscellaneous Items

Miscellaneous Items			
Reference on Drawing	HP Part Number	Quantity	Description/Comments
-	C7769-60185	1	Repackaging Kit (24" Model Only)
-	C7770-60007	1	Repackaging Kit (42" Model Only)
-	C7769-60178	1	Screw Kit